

TV-200 Series

HEAVY DUTY 2" CRASHWORTHY INTERNAL SOLENOID TANK VALVE

Key Features

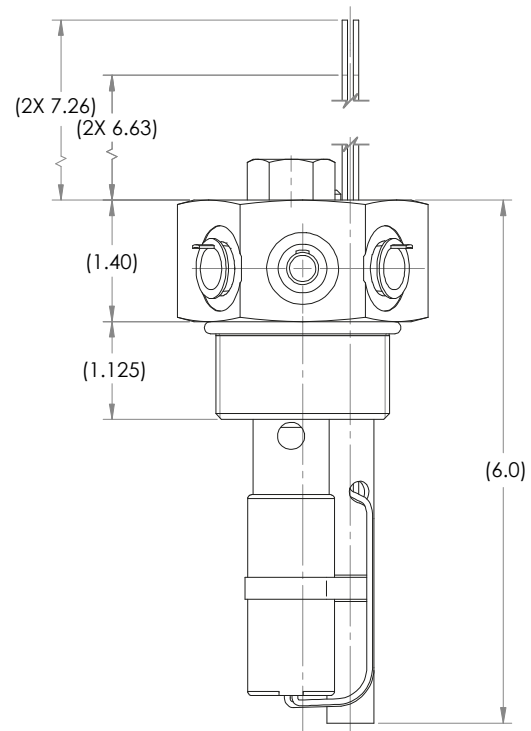
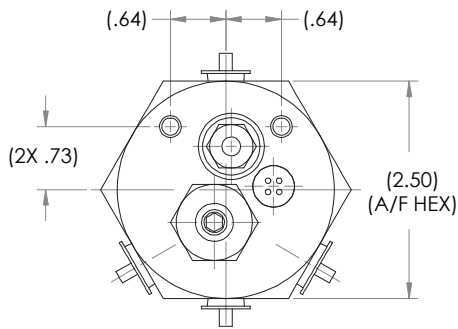
Patented solenoid tank valve that mounts the coil and plunger inside the tank protecting it from any external impact and environmental exposure. Temperature sensor mounted inside the tank allows for fuel gauge correction or fuel dispenser feedback system. Tank valve also includes an integrated PRD along with manual shut off.

- Almost 20 years in service in OEM applications.
- The solenoid lock off is located inside the cylinder, providing real crash and environmental protection.
- Pipe away T-PRD.
- Internal temperature sensor.
- Light weight aluminium design.
- 12 V and 24 V solenoid coils available.
- 350 Bar service pressure.



SPECIFICATIONS

TV-200 Series			
GENERAL INFORMATION			
APPLICATION	Hydrogen 2" Tank Valve		
DESIGN	Automatic valve, internal solenoid		
BODY MATERIAL	Aluminum, anodized MIL-A-8625		
FUEL TYPE	Natural Gas (Validated with G20 and C25 CNG), Hydrogen		
PERFORMANCE			
FLOW RATE (CV)	0.9		
RESPONSE TIME	750 ms		
T-PRD OPERATION	109°C Eutectic (cadmium-free)		
T-PRD ORIFICE	6 mm		
SERVICE PRESSURE	35 MPa (5,000 psig)		
WORKING TEMPERATURE	-40°C to 85°C (-40°F to 185°F)		
CORROSION	500 hrs salt spray B		
VIBRATION	As required by ISO, ECE, etc, plus various automotive OEM standards		
ELECTRICAL	Coil model	12 V	24 V
	Minimum opening voltage	8 V	16 V
	Nominal voltage	12 V	24 V
	Nominal current draw	0.62 A	0.33 A
	Thermistor R25C	2,700 ohms +/- 2%	
	Thermistor Type	NTC	
LEAKAGE	<10 ⁻³ mBar l/s Helium, external (<10 ⁻⁴ mBar l/s Helium, internal)		



ISO/TS 16949:2009 registered¹
 ISO 9001:2008 registered²
 ISO 14001:2004 registered³

©IMPCO Technologies Inc. All rights reserved.
 All information is subject to change without notice.
 Images for illustration purposes only, may not reflect configuration provided.

1. IMPCO Technologies Inc. Canada
 2. IMPCO Technologies Inc. Santa Ana California - IMPCO Technologies Inc. Canada - IMPCO Technologies BV Europe
 3. IMPCO Technologies Inc. Santa Ana California - IMPCO Technologies BV Europe

300009_REV B