

TV-1700 Series

HEAVY DUTY 2" CRASHWORTHY INTERNAL SOLENOID TANK VALVE

Key Features

Patented solenoid tank valve that mounts the coil and plunger inside the tank protected it from any external impact and environmental exposure. Temperature sensor mounted inside the tank allows for fuel gauge correction or fuel dispenser feedback system. Tank valve also includes an integrated PRD along with manual shut off.

- Almost 20 years in service in OEM applications.
- The solenoid lock off is located inside the cylinder, providing real crash and environmental protection.
- Pipe away T-PRD.
- Internal temperature sensor.
- Light weight aluminium design.
- 12 V and 24 V solenoid coils available with saturation or peak and hold control.
- 350 Bar models available.

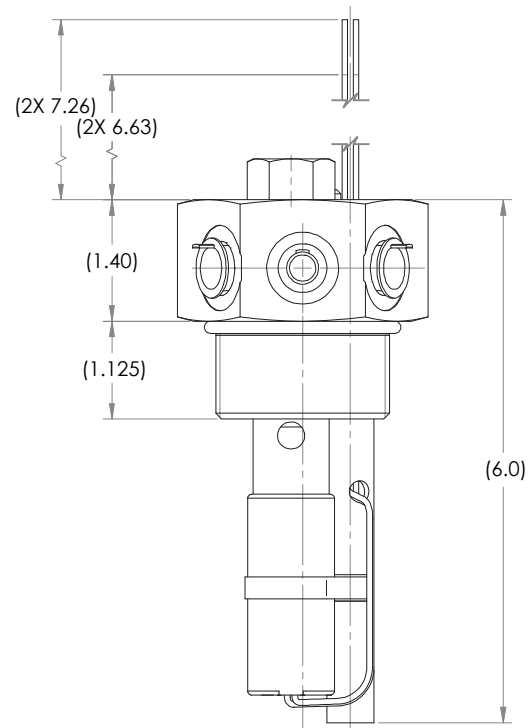
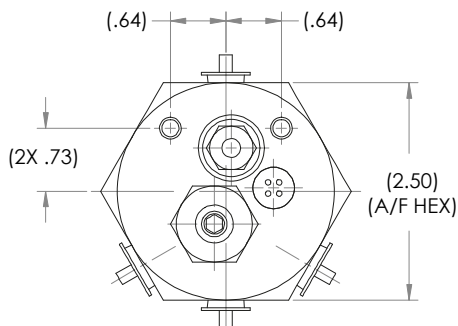


TV-200 CNG

SPECIFICATIONS

TV-1700 Series

GENERAL INFORMATION			
APPLICATION	CNG 2" Tank Valva		
DESIGN	Automatic, internal solenoid		
BODY MATERIAL	Forged Aluminum, anodized MIL-A-8625		
FUEL TYPE	Natural Gas (Validated with G20 and C25 CNG), High Pressure Compressed Natural Gas		
PERFORMANCE			
FLOW RATE (CV)	0.9		
RESPONSE TIME	750 ms		
T-PRD OPERATION	109°C Eutectic		
T-PRD (EUTECTIC CAD-FREE) ORIFICE	6 mm		
BURST PRESSURE	>2.5 x working pressure		
OPERATING	35 MPa (5,000 psig)		
WORKING TEMPERATURE	-40°C to 85°C (-40°F to 185°F)		
CORROSION/HUMIDITY	500 hrs salt spray B, 100 day cyclic corrosion		
VIBRATION	As required by ISO, ECE, etc, plus various automotive OEM standards		
ELECTRICAL	Coil model	12 V	24 V
	Minimum opening voltage	8 V	16 V
	Nominal voltage	12 V	24 V
	Nominal current draw	0.62 A	0.33 A
	Thermister R25C	2.7 Kohms +/- 2%	
	Thermister Type	NTC	
LEAKAGE	<10 ⁻³ mBar l/s Helium, external (<10 ⁻⁴ mBar l/s Helium, internal)		
APPROVALS			
CERTIFICATIONS	NGV 3.1, ECE R110, ISO 15500, PRD1		
QUALITY	Standard APQP protocol applicable. PPAP documentation to meet customer request.		



ISO/TS 16949:2009 registered¹
 ISO 9001:2008 registered²
 ISO 14001:2004 registered³

1. IMPCO Technologies Inc. Canada
 2. IMPCO Technologies Inc. - Santa Ana California - IMPCO Technologies Inc. Canada - IMPCO Technologies BV Europe
 3. IMPCO Technologies Inc. - Santa Ana California - IMPCO Technologies BV Europe
 ©IMPCO Technologies Inc. All rights reserved.
 All information is subject to change without notice.
 Images for illustration purposes only, may not reflect configuration provided.
 300009_REV A