

PRD-100

HIGH PERFORMANCE 2" END PLUG PRESSURE RELIEF DEVICES

Key Features

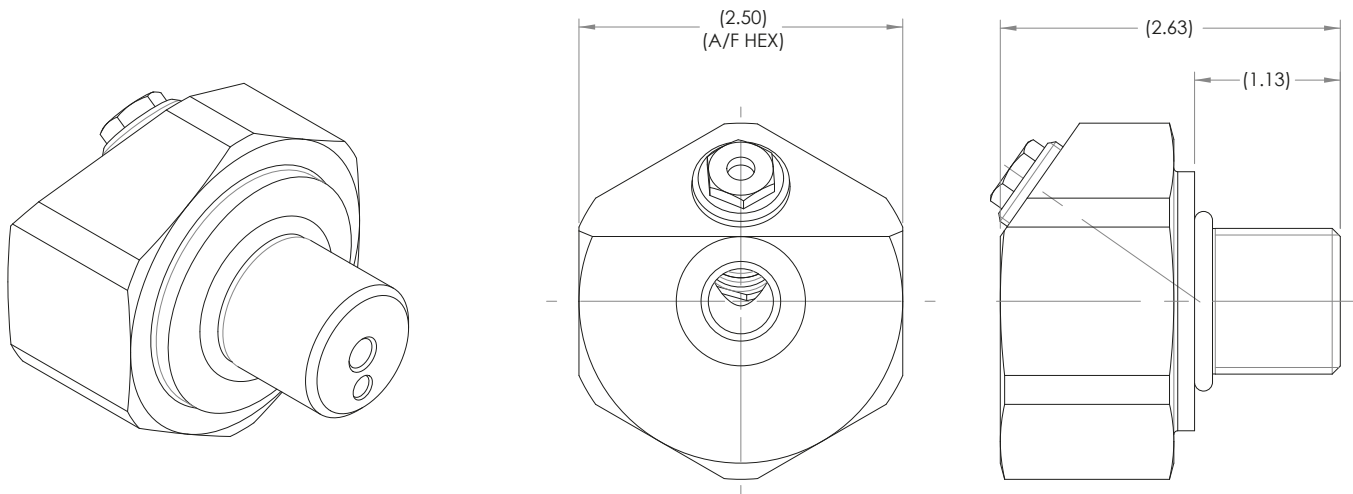
GFI 2" end plug pressure relief devices uses a design optimized for maximum heat transfer to create a fast acting high flow PRD. Pipe away T-PRD 9/16 SAE port, proven history of field service.

- 9/16 SAE T-PRD pipe away.
- High flow fast acting design.
- Cadmium free eutectic fuse technology.
- Maximum working pressure 35 MPa.
- Optional P-PRD burst disk with 9/16 SAE pipe away.
- Working temperature -40°C to +85°C.
- Light weight machined aluminium body.
- PRD-1b-2007 Certified.



SPECIFICATIONS

PRD-100	
GENERAL INFORMATION	
APPLICATION	CNG Tank End plug safety device for Type 1 / Type 3 / Type 4 cylinders
DESIGN	Automatic, Internal Solenoid
BODY MATERIAL	Machined Aluminum, anodized MIL-A-8625
FUEL TYPE	Natural Gas (Validated with G20 and C25 CNG) High Pressure Compressed Natural Gas
PERFORMANCE	
MAX WORKING PRESSURE	31.2 MPa (4,500 psig)
OPERATING	25 MPa (3,600 psi)
WORKING TEMPERATURE	-40°C to 85°C (-40°F to 185°F)
T-PRD OPERATION	103°C to 108°C Eutectic
T-PRD (EUTECTIC CAD-FREE) ORIFICE	6 mm
BURST PRESSURE	>2.5 x working pressure
CORROSION/HUMIDI	500 hrs salt spray B, 100 day cyclic corrosion
VIBRATION	As required by ISO, ECE, etc, plus various automotive OEM standards
LEAKAGE	<10 ⁻⁴ mBar l/s Helium, external (<10 ⁻⁴ mBar l/s Helium, internal)
CONNECTIONS	
CYLINDER CONNECTION	2" UNF
APPROVALS	
CERTIFICATIONS	PRD1-2007
QUALITY	Standard APQP protocol applicable. PPAP documentation to meet customer request.



ISO/TS 16949:2009 registered¹
 ISO 9001:2008 registered²
 ISO 14001:2004 registered³

©IMPCO Technologies Inc. All rights reserved.
 All information is subject to change without notice.
 Images for illustration purposes only, may not reflect configuration provided.
 300015_REV A
 1. IMPCO Technologies Inc. Canada
 2. IMPCO Technologies Inc. Santa Ana California - IMPCO Technologies Inc. Canada - IMPCO Technologies BV Europe
 3. IMPCO Technologies Inc. Santa Ana California - IMPCO Technologies BV Europe