

ITVR-700

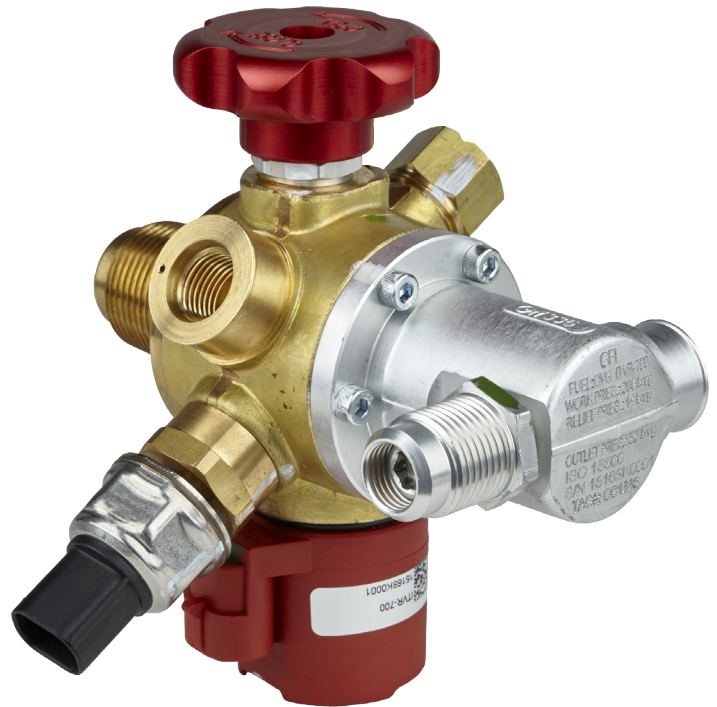
INTEGRATED TANK VALVE REGULATOR (ITVR)

Key Features

All in one Integrated Tank Valve Regulator (ITVR) simplifies CNG systems and reduces costs by providing a regulated low pressure output directly from the tank.

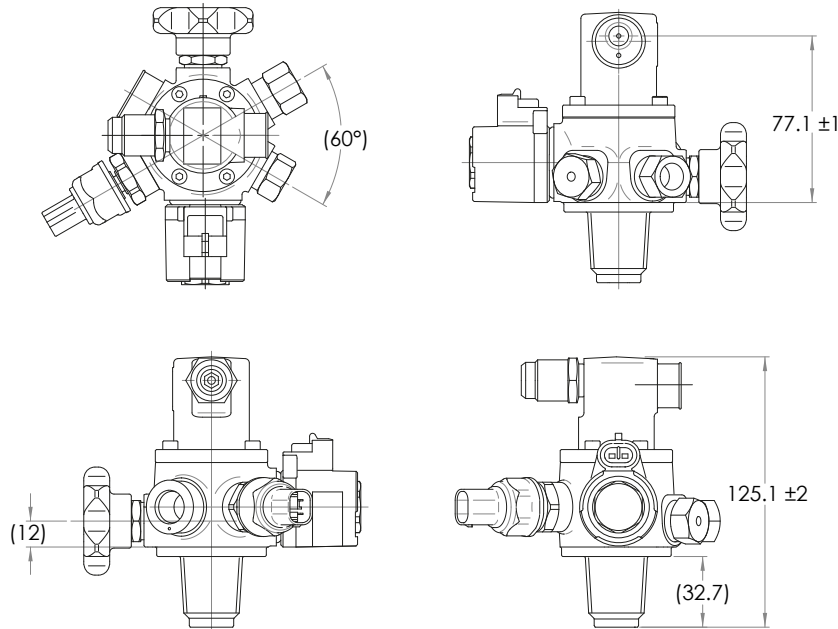
Thermally activated and pressure activated relief devices are built into a common vent port to protect the high pressure side of the system and a low pressure relief valve is built in to protect the downstream components.

- Solenoid high pressure lock off.
- Micro vented for internally mounted locations.
- 12 or 24 volt high pressure lock off.
- Optional high pressure sensor.
- Proven to over 1.8million cycles.
- Both Low pressure relief valve and high pressure relief device built in.
- Certified ISO 15500.
- Manual shut off.
- Excess flow device.



SPECIFICATIONS

ITVR-700		
GENERAL INFORMATION		
APPLICATION	CNG Integrated fuel delivery module for Type 1/Type3/Type 4 cylinders	
DESIGN	Regulator: Single stage piston type. Tank Valve: Automatic, External Solenoid	
BODY MATERIAL	Forged Brass and Aluminum	
FUEL TYPE	High Pressure Natural Gas (Validated with G20 and G25 CNG)	
PERFORMANCE		
MAX WORKING PRESSURE	25 MPa (3,500 psig)	
REGULATED FLOW RATE	2 g/s CNG; higher flow rates possible depending on application	
OUTLET PRESSURE	5 +/- 0.5 barg; other outlet pressures possible; please contact IMPCO for more information	
WORKING TEMPERATURE	-40°C to 85°C (-40°F to 185°F)	
T-PRD	Design	Eutectic
	Activation Temp.	109 +/- 1.5°C (228 +/- 2.5°F)
	Venting performance	18 g/s minimum @ 7 barg, 15C
BURS DISK	30 to 32.5 MPa @ 25 to 30°C (4,350 to 4,712 psi)	
EXCESS FLOW DEVICE (EFD)	Activation Delta P: 0.5 bar	
PRESSURE RELIEF DEVICE	1,200 to 1,600 kPa (174 to 232 psig)	
FILTER (REPLACEABLE)	40 µm, >99% efficiency	
PRESSURE SENSOR	0 to 200 Bar (Sensata)	
SOLENOID	Voltage	12 V
	Current draw	1.5 A
	Control	Saturated
LEAKAGE	<10 ⁻³ mBar l/s Helium, external (<10 ⁻⁴ mBar l/s Helium, internal)	
CONNECTIONS		
CYLINDER CONNECTION	1" BS341 (IS: 3224 Type 4 Size 2) or 1 1/8" UNF	
OUTLET TREAD TYPE	7/16-20 UNF SAE Port	
ELECTRICAL CONNECTOR	AMP Super Seal	
LIVE PORT	Yes, for high pressure sensor only	
APPROVALS		
ISO 15500		



ISO/TS 16949:2009 registered¹
 ISO 9001:2008 registered²
 ISO 14001:2004 registered³

©IMPCO Technologies Inc. All rights reserved.
 All information is subject to change without notice.
 Images for illustration purposes only, may not reflect configuration provided.
 1. IMPCO Technologies Inc. Canada
 2. IMPCO Technologies Inc. Santa Ana California - IMPCO Technologies Inc. Canada - IMPCO Technologies BV Europe
 3. IMPCO Technologies Inc. Santa Ana California - IMPCO Technologies BV Europe