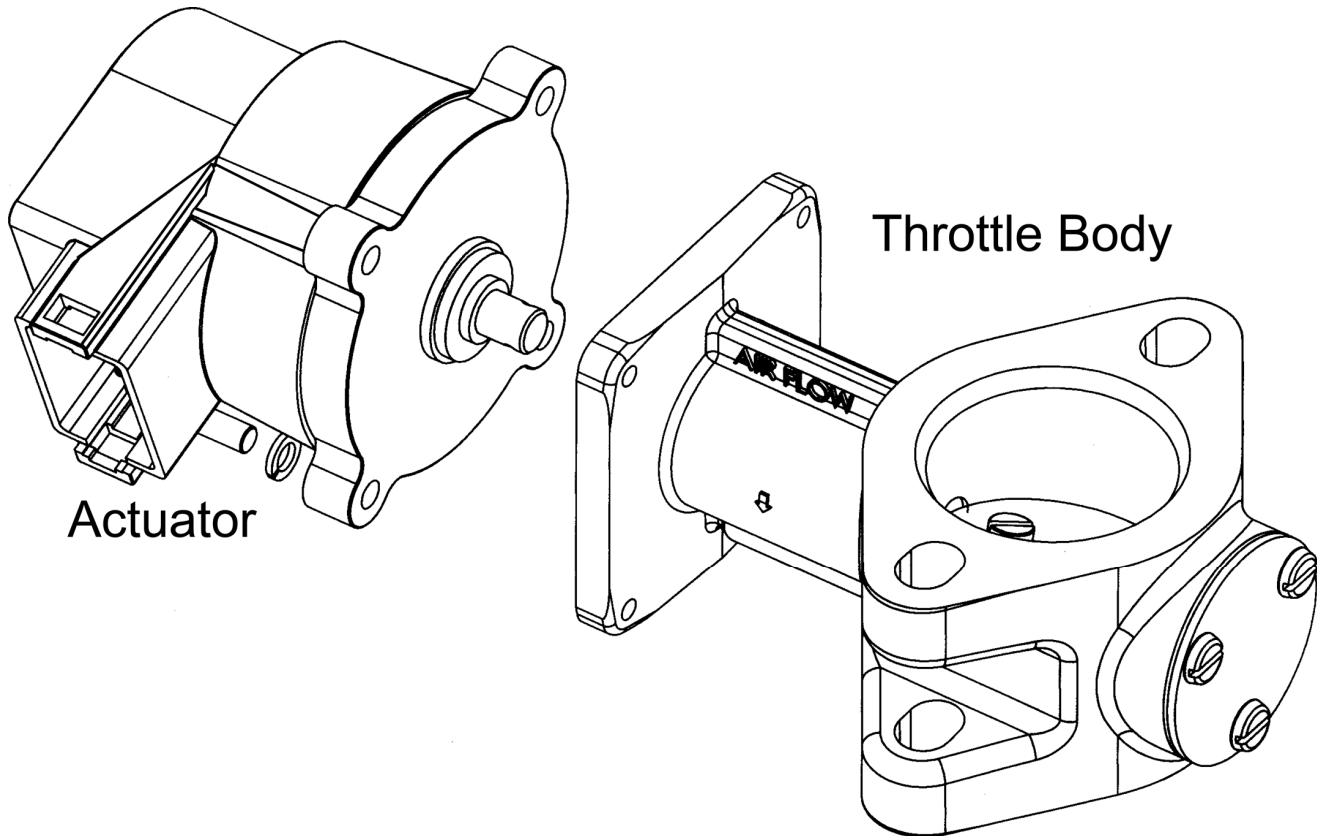


Electronic Governor Part Availability

The availability of IMPCO's Electronic Governor, components, and assemblies that use the Governor are changing. Refer to the tables below for updated part information.



The Electronic Governor and its two main components (AT2-30755-003 shown).

Effective March, 2011, the Actuator component of the Electronic Governor will no longer be available from IMPCO. The Throttle Body components, AT2-30472-1 (two bolt) and AT2-30470 (four bolt) will remain available.

The Actuator, IMPCO P/N A5-30738-002 can be ordered through Woodward as part number 8404-1007. Additionally, the wire harness used when replacing the Electronic Governor, IMPCO P/N AW-30738-003 (see PPI-101), must also be purchased through Woodward as part number 5450-1033

The parts and assemblies listed below comprise of components now obsolete. Therefore, effective March, 2011 the following complete assemblies are no longer available:

Part Number
7174670-2500-4*
7174670-2600-4
7174670-2800-4*
7174670-2800-K4*
7174690-2200-8
7174690-2300-6
7174690-2500-8
7174690-2500-K8
7174690-2600-8
7175810-2650-4**
7175810-2650-C4**
7175810-2650-K4**
A5-30738-001
AT2-30470*
AT2-30470-001
AT2-30472-2
AT2-30472-3
AT2-30729-001**
AT2-30729-002
AT2-30742-1*
AT2-30754-001**
AT2-30754-002
AT2-30755-001*
AT2-30755-002
AT2-30755-003
AW-30738-003

*Throttle body AT2-30472-1 is available to service this electronic governor

** Throttle body AT2-30470 is available to service this electronic governor

The throttlebodies, P/N AT2-30472-1 and AT2-30470 will remain available and can be ordered to service electronic governors as noted above.

Refer to IMPCO PPI-52 for additional Electronic Governor information and installation instructions.