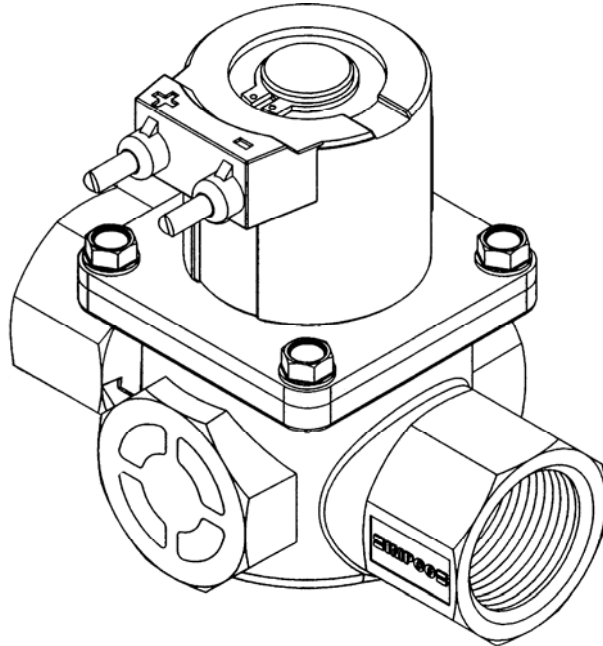


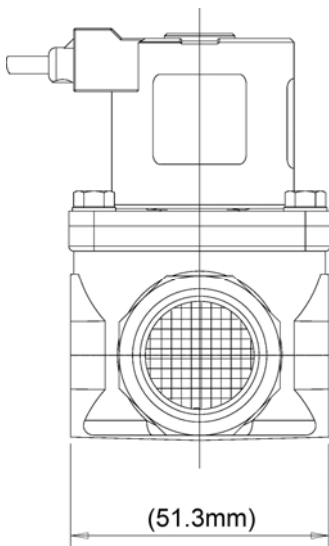
New FL-50046-008 Shut-Off/Lockoff Valve

Shut-Off Valve, P/N FL-50046-008, is now available for low pressure Natural Gas and LPG Vapor applications. Similar to P/N FL-50046-007, the new part provides an in-line (straight-through) flow with a $\frac{3}{4}$ " NPT female inlet and a $\frac{3}{4}$ " NPT female outlet. P/N FL-50046-008, does not have a protruding side mount or boss, making it ideal for applications where interference may exist due to limited space.



P/N FL-50046-008, Shut-Off Valve

END VIEW



TOP VIEW

