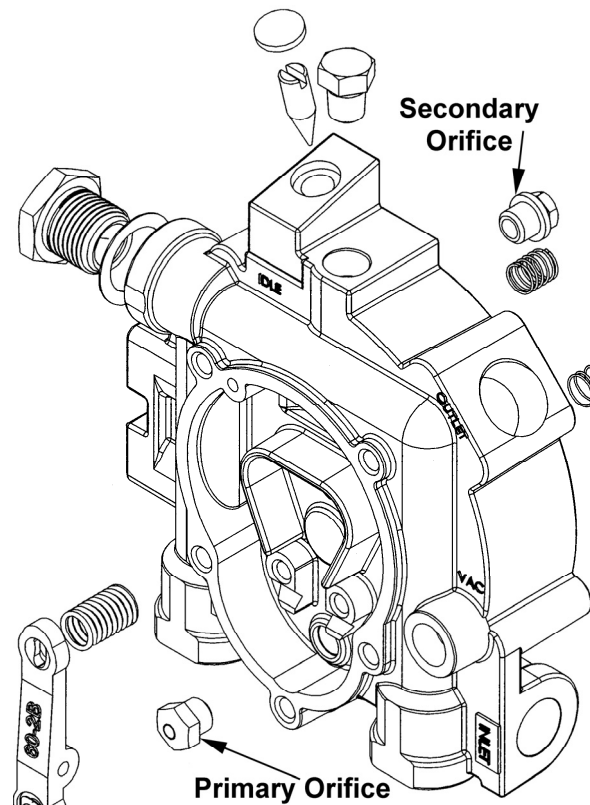


### T60 Repair Kit Change

The T60-RCK repair kit for the T60 Regulator is no longer available and has been replaced by repair kit T60-RBK. The T60-RBK is identical to the T60-RCK but does not include the primary or secondary orifices (see illustration below).

Future T-60 Regulators will feature integral orifices built into the body. If the seats are found to be damaged, the regulator must be replaced.



*View of the T60 Regulator body and components including the primary and secondary orifices.*